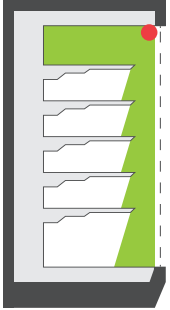


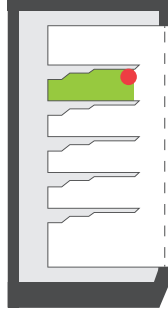
LCR-Series

Installation manual

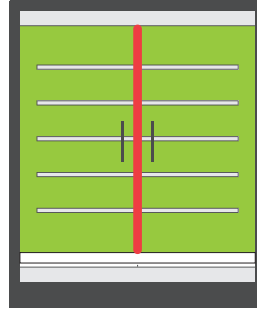
LCR-C / CD



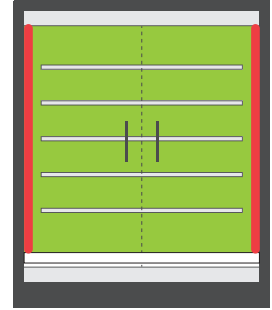
LCR-H



LCR-VC



LCR-VLR



LCR-H (Horizontal)	Shelf / Handrail
LCR-V (Vertical)	Mullion
LCR-C (Canopy)	Top shelf
LCR-CD (Canopy - Double beam)	Top front / Top shelf
Operating voltage	24 V DC
Luminaire type	Refrigeration lighting
Colour Consistency	3 SDCM
Lifetime	L80 B10 50.000 h @ 10°C
Ambient temperature ta	-30°C to +10°C
Material	PC / Aluminium
Cascading	LCR-H asym L300 = max. 15 pcs. LCR-H asym L900 = max. 7 pcs. LCR-H asym L1200 = max. 5 pcs.

LCR-C



LCR-CD



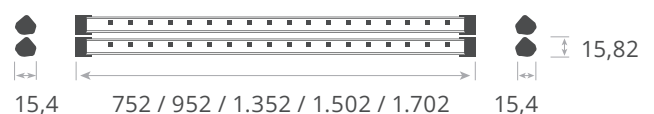
LCR-H



LCR-VLR

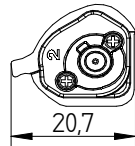
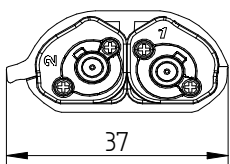


LCR-VC



dimensions in mm

Dimensions in w mm with assembly clip: double and single

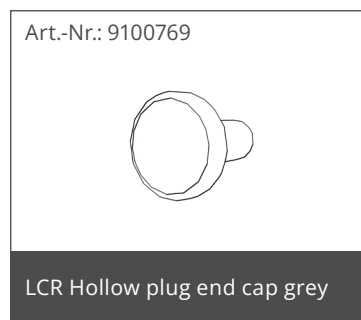
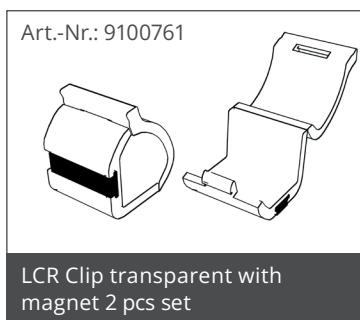
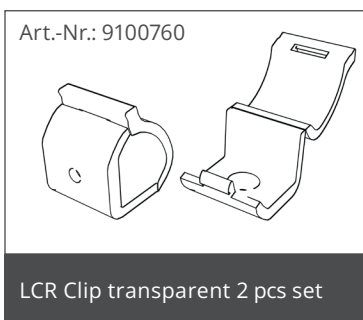
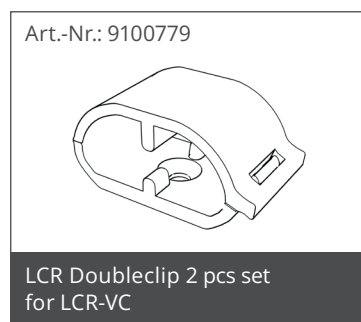
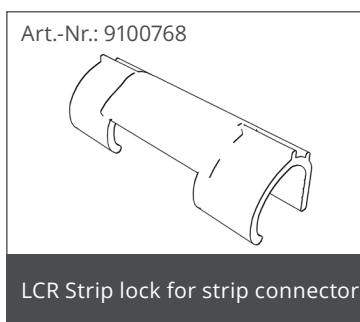
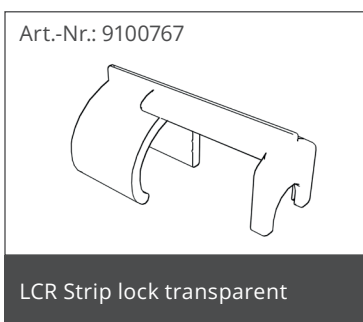
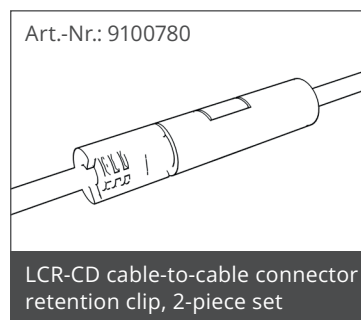
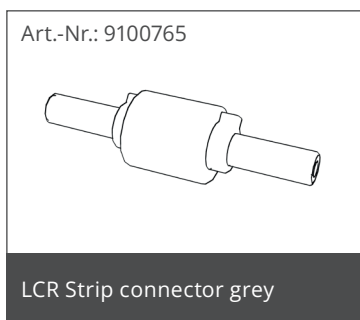
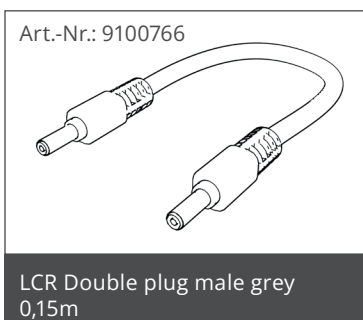
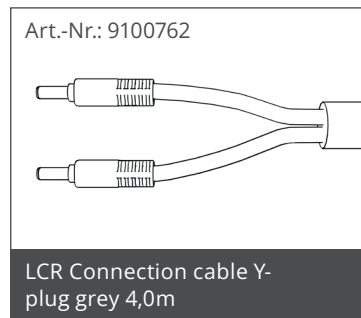
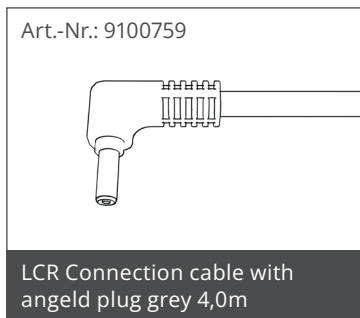
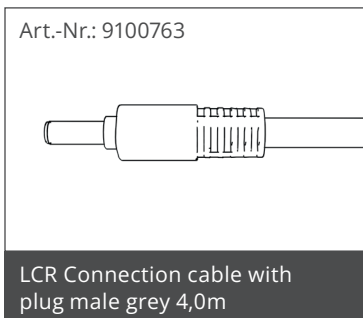


You will find the explanation of symbols at the end of the document under "Notes on luminaires"

LCR-Series

Accessories

Item Number	Article description
9100758	LCR-CD Connection cable 4,0 m
9100764	LCR Connection cable female grey 4,0m

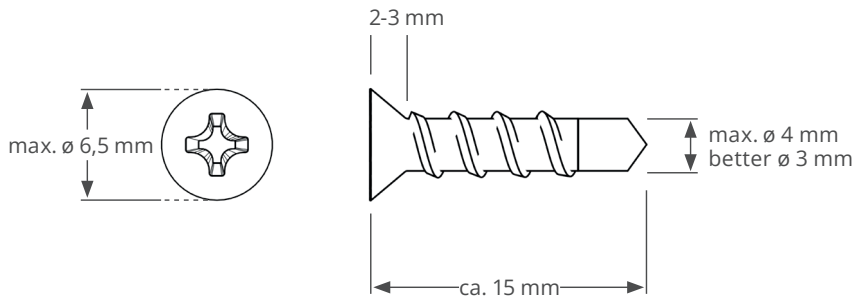


Technical changes reserved. 04/2026

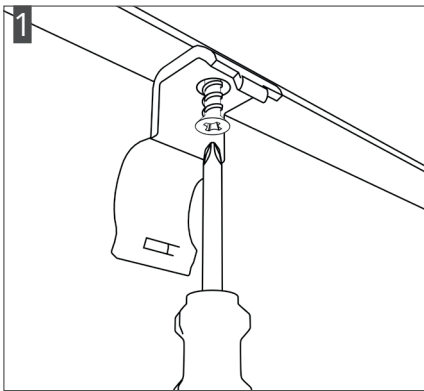
LCR-Series

Assembly

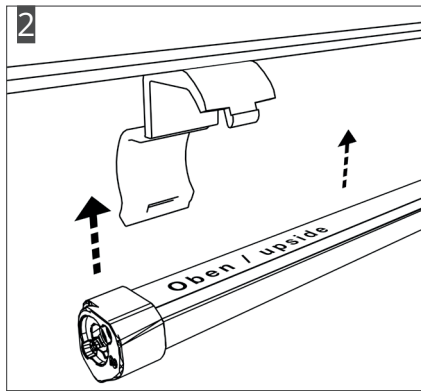
Screw Recommendation: Countersunk head with drill point



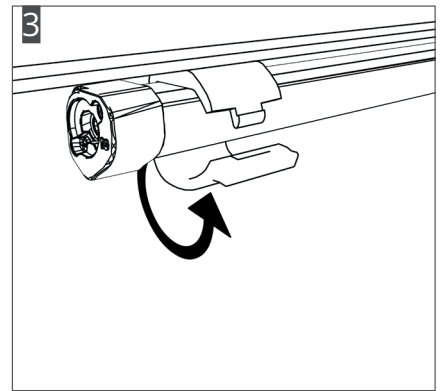
A. Mounting with screw clip: LCR-C | LCR-H | LCR-VLR



1. Before using the recommended screws, make sure that no cables or wires in the cooling unit can be damaged.

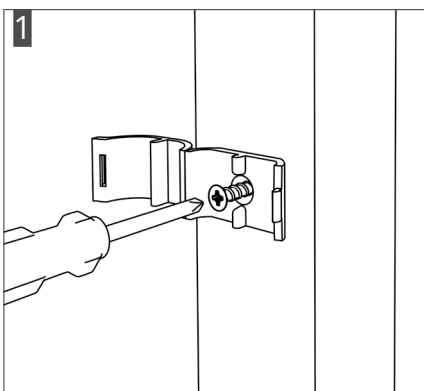


2. The correct positioning of the strips is supported by the mounting symbols Oben / upside or Rückseite / back side are used to support the correct positioning of the strips. The drill hole or magnet must always be on the surface of the mounting symbols.

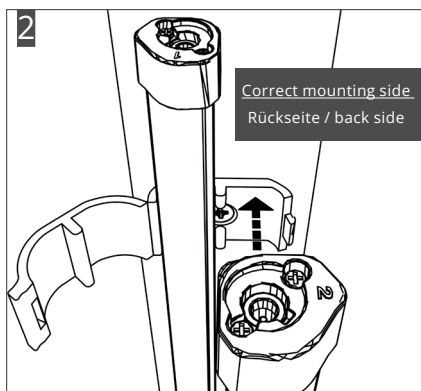


3. Close the screw clip. If the screw clip cannot be closed comfortably, please check whether the bars have been inserted correctly as described in Fig. 2.

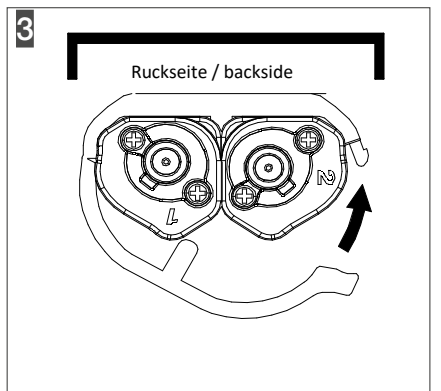
B. Mounting with double clip: LCR-VC = 2pc LCR-VLR



1. Before using the recommended screws, make sure that no cables or wires in the cooling unit can be damaged.



2. When mounting the LCR-VC, make sure that the mounting symbols Rückseite / back side are attached to the side of the door web.

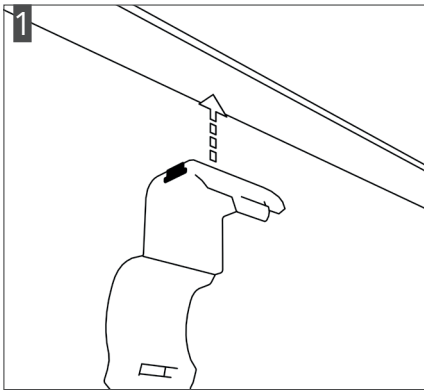


3. Close the double clip. If the clip does not close comfortably, please check whether the bars have been inserted correctly as described in Fig. 2.

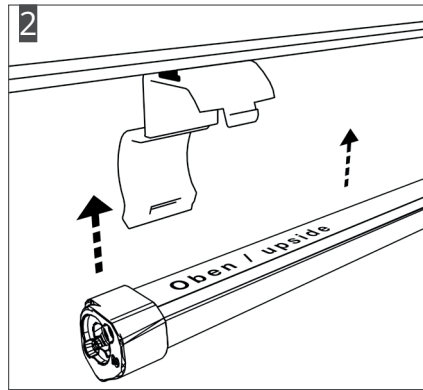
LCR-Series

Assembly

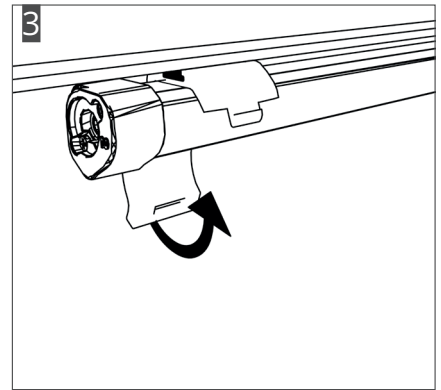
C. Mounting with magnet clip: LCR-C | LCR-H asym



1. Attach the magnetic clip to the metal end position provided.



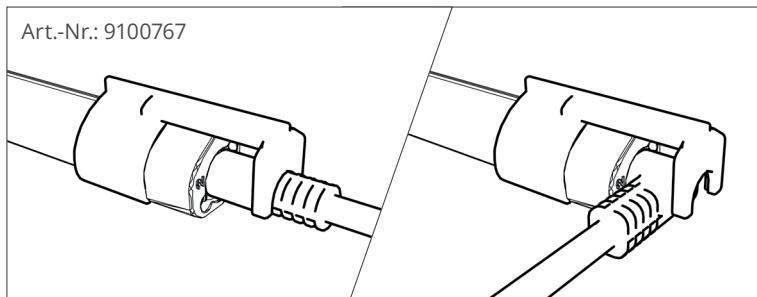
2. The correct positioning of the strips is supported by the mounting symbols Oben / upside or Rückseite / back side are used to support the correct positioning of the strips. The magnet must always be on the surface of the mounting symbols.



3. Close the magnetic clip. If the magnetic clip does not close comfortably, please check whether the bars have been inserted correctly as described in Fig. 2.

D. Plug locking

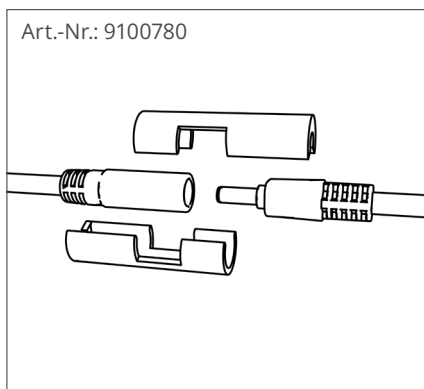
LCR-C | LCR-H asym | LCR-VLR | LCR-VC



The connector locking is for all LCR types (except LCR-CD). Always one plug locking per feed.

E. Plug locking

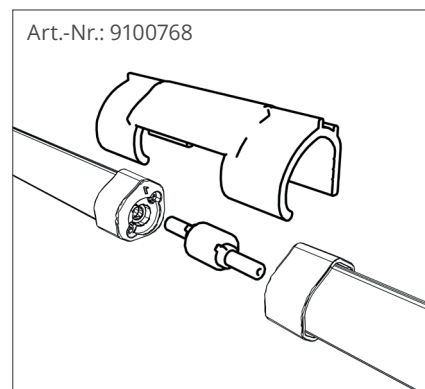
LCR-CD



The cable-to-cable connector retention clip is intended for LCR-CD only. Use one 2-piece retention clip per connection.

F. Strip connector

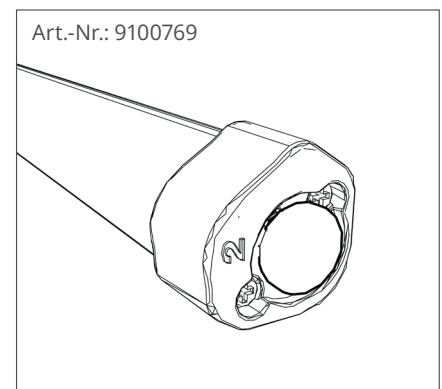
LCR-H asym



The strip connector with the strip interlock is designed for cascading the LCR-H asym.

G. Hollow bush protection cap

LCR-C | LCR-H asym | LCR-VLR | LCR-VC



The Hollow plug is required to ensure the declared IP protection on the non-powered side.

If necessary, move the plug to the other side of the luminaire!

LCR-Series

Notes



EN Attention. Electrostatic sensitive device.

Notes on luminaires:

The LCR product series is used for the illumination of refrigerators. The installation of the light may only be carried out by an approved electrician.

Only certified LED drivers according to EN 61347-2-13:2014+A1:2017 may be used.

If the LED driver has a lower protection class (e.g. IP20) than the lamp (IP65), please make sure that the power supplies are installed on the refrigerated counters according to the standards.

The light source of this lamp is not exchangeable! When the light source has reached the end of its life, the entire lamp must be replaced. Before electrical installation, maintenance or cleaning, the circuit must be disconnected from the mains and secured against being switched on again.

To clean the lamp, please use a soft, dry cloth without detergent. To remove stubborn stains, use a slightly damp cloth if necessary. Never use abrasive or corrosive materials.

Note on screws: The screws shown are recommendations. Before installation, please make sure that the recommended sizes and lengths can be fitted in the respective installation situation without causing damage to the refrigeration units or cables.



The IP65 marking is an indication of the degree of protection of an electrical device 6: Protection against contact, protection against dust ingress 5: Protection against water jets from any direction.



Protection class III luminaires.



By CE marking, the manufacturer declares that the product complies with the applicable requirements specified in the harmonization legislation of the European Union.



This symbol indicates that the marked device is not to be disposed of in normal household waste, but must be collected separately.



for use as refrigerator lighting.

24 V  24 volts DC.

t_a: maximum permissible ambient temperature -30°C to +10°C.